

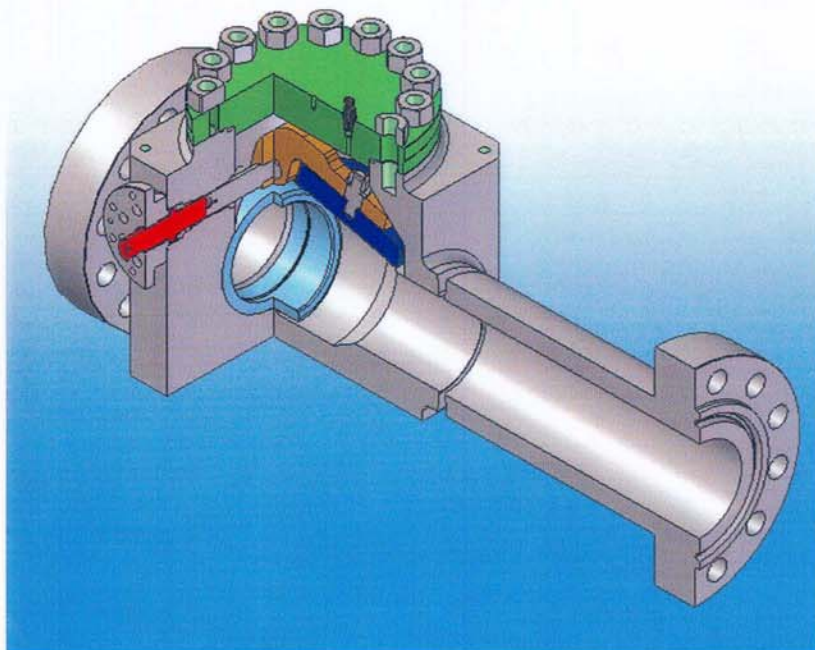


ABV Series CVS Subsea Service

Swing Check Valve Full Opening

CHARACTERISTICS

- Size Range:
1.13/16" – 13.5/8"
2" – 24"
- Pressure Classes:
API 5000-10000-15000
ASME 900-1500-2500-4500
- Connections:
 - Flanged
 - Compact Flange Norsok
 - HUB or Butt Welding
- Material Specification:
PSL 1-2-3-3G and 4
- Design according to:
API 6A-API 6D-API 17D
API 6A Appendix F, PR2
- Application:
 - Subsea
 - Topside
- Main Features:
 - Standard through conduit design allowed for passage of pigs and spheres without any modification.
 - Available with integral or replaceable seats.
 - Suitable on request for on-off service operation:
On request the valve can be designed for ROV API 17D or by actuator for the disc opening or closing, in accordance with the type of application.
The actuator is integral part of ABV package and it is designed and produced by ABV in accordance with the specific requirements of the customers.



Representative for Benelux Countries
Energy Management Systems BV
Phoenixstraat 37 1801 GA Alkmaar
Telf. +31 (0) 72 5401147 Fax. +31 (0) 72 5400992
web : www.emsvalvesinstruments.com
email: info@emsvalvesinstruments.com

Design and dimensions may be subject to change without notice, except the dimensions established by international standard specifications.