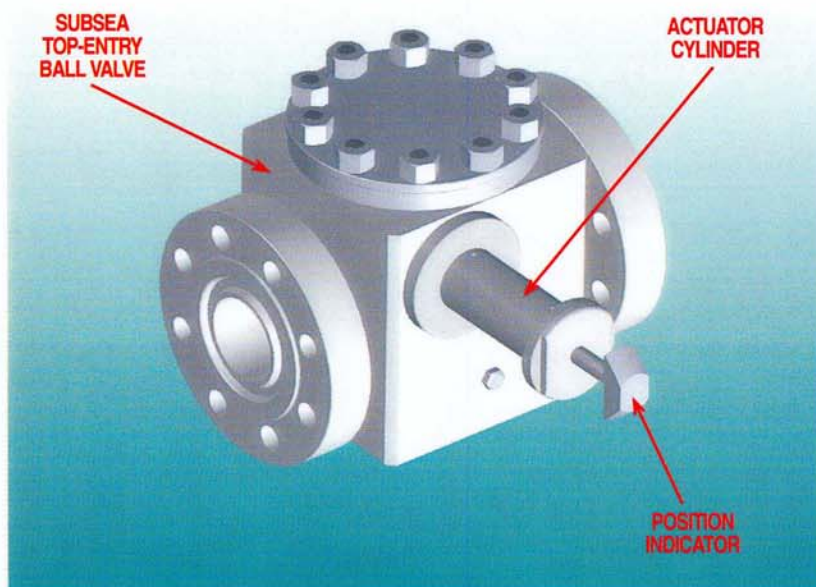




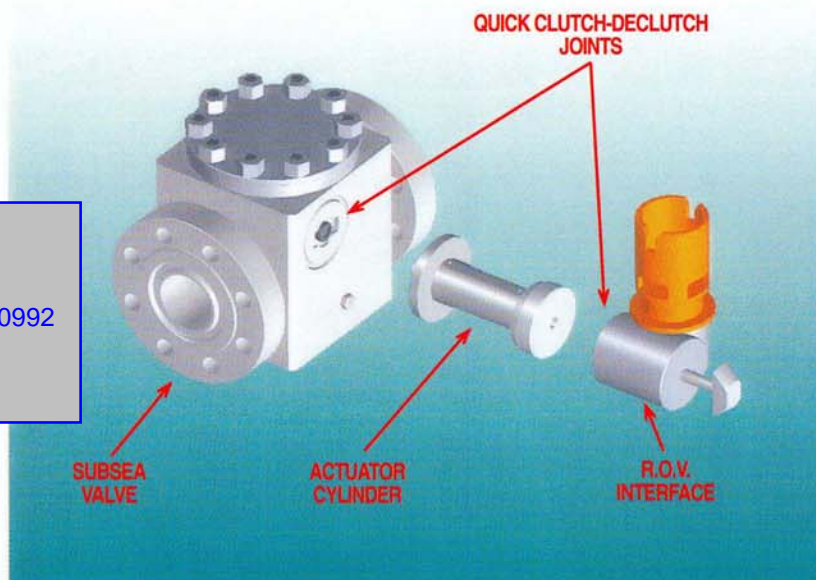
ABV Sub-Sea Actuator Moss® Integral System

CHARACTERISTICS

- Sub-sea system based on ball valve with integrated actuating mechanism.
- System without exposed or moving external parts.
- System with low pieces number, high reliability and maintenance free.
- Easy cylinder assembling and disassembling, and diverless possibility.
- Flexibility and reducing of overall dimensions.
- Possibility to operate by pneumatic, hydraulic (single or double acting), ROV or manual.
- Possibility to have total metallic seats (zero leakage), and constant valve pressure also after cylinder removing.



Moss® typical configurations



Representative for Benelux Countries
Energy Management Systems BV
Phoenixstraat 37 1801 GA Alkmaar
Telf. +31 (0) 72 5401147 Fax. +31 (0) 72 5400992
web : www.emsvalvesinstruments.com
email: info@emsvalvesinstruments.com

Moss® Integral System is patented by ABV S.r.l.
Moss® is a registered trademark of ABV S.r.l.

Design and dimensions may be subject to change without notice, except the dimensions established by international standard specifications.

© ABV. No part of this document can be reproduced without ABV written authorization.

-Rev. 2.0-