



ABV

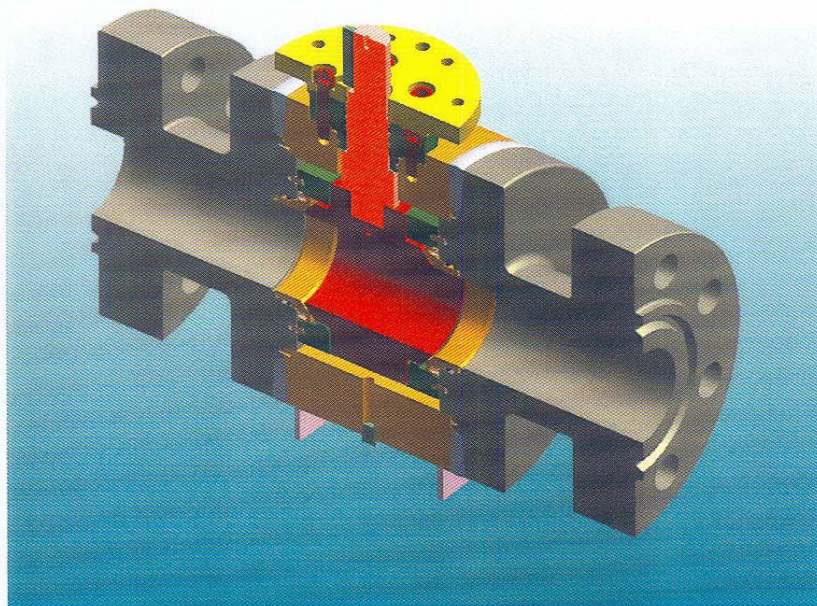
Series WSB

Sub Sea Service

Fully Welded Sub-Sea Ball Valves

CHARACTERISTICS

- Fully welded design.
- Bi-directional valve.
- Trunnion mounted design, with floating rings and allowed cavity pressure relief in both open and closed position.
- Single piece floating seat ring.
- Body and stem non-metallic seals made in PTFE, PEEK or similar materials (not in elastomeric materials).
- Inconel 625 overlay on seats and seals area (on carbon steel valves).
- Electrical continuity between stem, ball and body.
- Welding according to API 6A PSL3 and ASME IX.
- Piggable.



AVAILABLE SIZES & RATING

• NS 6" ÷ 40"	ASME 150 ÷ 600#	Full and reduced bore
• NS 6" ÷ 36"	ASME 900#	Full and reduced bore
• NS 6" ÷ 30"	ASME 1500#	Full and reduced bore
• NS 6" ÷ 24"	ASME 2500#	Full and reduced bore
• NS 6" ÷ 8"	ASME 4500#	Full and reduced bore
• NS 4.1/16" ÷ 7.1/16"	API 10000	Full and reduced bore
• NS 4.1/16"	API 15000	Full and reduced bore

Representative for Benelux Countries
Energy Management Systems BV
Phoenixstraat 37 1801 GA Alkmaar
Telf. +31 (0) 72 5401147 Fax. +31 (0) 72 5400992
web : www.emsvalvesinstruments.com
email: info@emsvalvesinstruments.com

Design and dimensions may be subject to change without notice, except the dimensions established by international standard specifications.

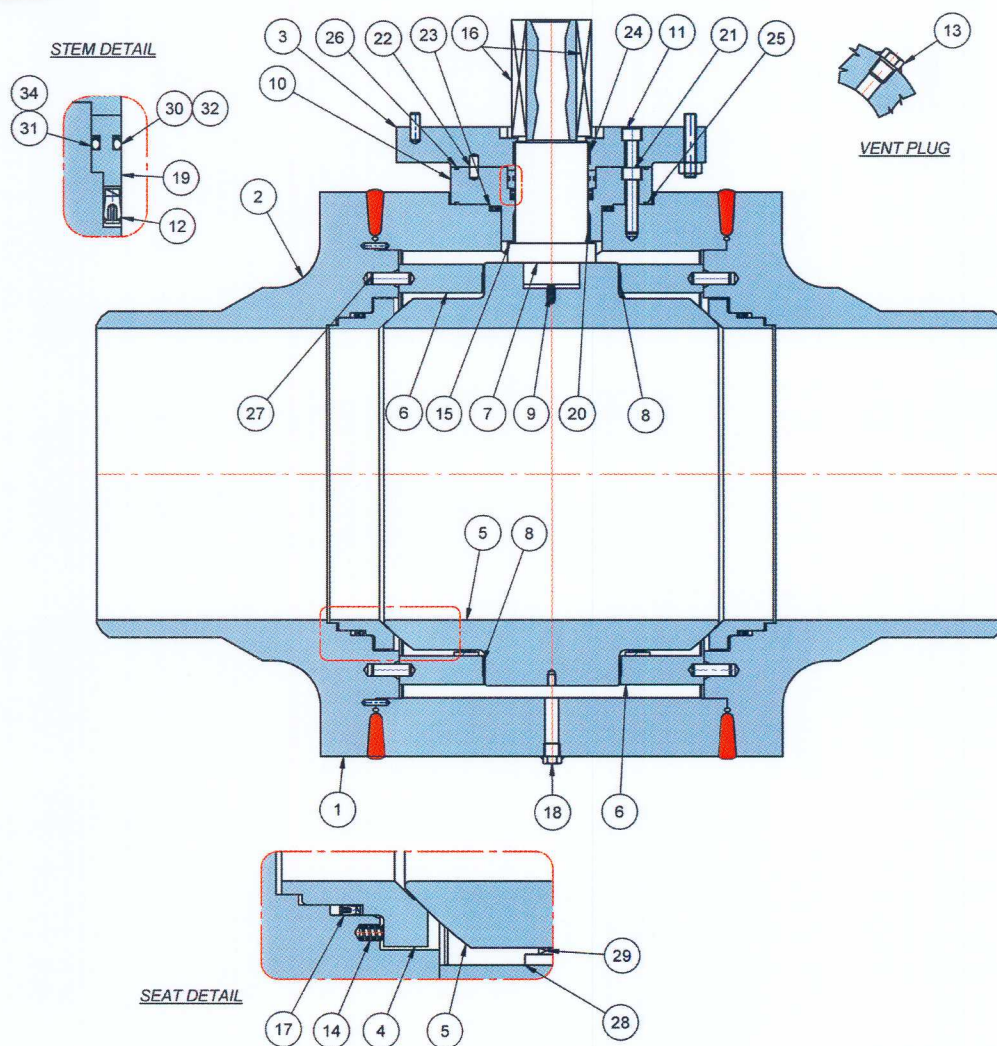


ABV Series WSB Sub Sea Service

Fully Welded
Sub-Sea Ball Valves

DESCRIPTION

1. Body
2. Bonnet
3. Adapter Flange
4. Seat
5. Ball
6. Stem
7. Spring
8. Bearing
9. Cap Screw
10. Nut
11. Stud Bolt
12. Vent Plug
13. Spring
14. Thrust Washer
15. Thrust Washer
16. Stem Key
17. Lip Seal
18. Ring Joint
19. Drain Plug
20. Pin
21. Lifting lug
22. Threaded Ring
23. Stem Gasket
24. Lantern Ring
25. Bearing
26. Welded Pin
27. Bearing
28. Seat Gasket Ret.
29. O-Ring
30. O-Ring



Design and dimensions may be subject to change without notice, except the dimensions established by international standard specifications.